

DH-H2C

2MP Indoor Fixed-focal Wi-Fi Network PT Camera



- 1/2.8" 2Megapixel CMOS.
- Max. 25/30fps@1080p.
- H.265 encoding.
- Human detection.
- Wi-Fi.
- Two-way Talk.
- Sound alarm.



System Overview

The Mini Indoor PT camera uses pan and tilt to cover all the corners of your store, producing high quality detailed images. It also features two-way talk for you to communicate with people in front of the camera in real time. With its miniature design and standard installation bracket, it is easy to install. You can also conveniently access the camera through DMSS to view footage anytime, anywhere.

Functions

Smart H.265+ & Smart H.264+

With advanced scene-adaptive rate control algorithm, Dahua smart encoding technology realizes the higher encoding efficiency than H.265 and H.264, provides high-quality video, and reduces the cost of storage and transmission.

Two-way Talk

With its built-in high-sensitivity microphone and high-power speaker, the camera realizes two-way talk through the mobile app.

IVS

With advanced video algorithm, Dahua IVS technology supports intelligent functions, such as tripwire and intrusion.

Technical Specification

Camera

| | |
|----------------------------|--------------------------------------------------------------------|
| Image Sensor | 1/2.8" CMOS |
| Pixel | 2 MP |
| Max. Resolution | 1920 (H) × 1080 (V) |
| ROM | 128 MB |
| RAM | 128 MB |
| Electronic Shutter Speed | 1/3s–1/100,000s |
| Scanning System | Progressive |
| Min. Illumination | Color: 0.05 lux@F1.6 B/W: 0.005 lux@F1.6 0 lux (IR light on) |
| Illumination Distance | 15 m (49.21 ft) |
| Illuminator On/Off Control | Manual; Auto; Off |
| Illuminator Number | 1 (IR light) |

Lens

| | | | | |
|----------------------|-------------------------------|----------------------|--------------------|---------------------|
| Focal Length | 4 mm | | | |
| Max. Aperture | F2.0 | | | |
| Field of View | H: 85.9°; V: 44.9°; D: 103.3° | | | |
| Close Focus Distance | 0.2 m (0.65 ft) | | | |
| Iris Control | Fixed iris | | | |
| DORI Distance | Detect | Observe | Recognize | Identify |
| | 55.2 m (181.10 ft) | 21.8 m (71.52 ft) | 11 m (36.08 ft) | 5.5 m (18.04 ft) |

PTZ

| | |
|----------------------|----------------------------------------|
| Pan/Tilt Range | Pan: 0° to 325° Tilt: -20° to +100° |
| Manual Control Speed | Pan: 57.7°/s; Tilt: 46.2°/s |
| Preset Speed | Pan: 57.7°/s Tilt: 46.2°/s |
| Preset | 300 |
| Power-off Memory | Yes |
| Idle Motion | Preset |

Smart Event

| | |
|-----------------|---------------------|
| IVS | Tripwire; intrusion |
| Human Detection | Yes |

Active Deterrence

| | |
|---------------|--------------------------------------------------------------------|
| Sound Warning | Sound warning alarm: Customizable Alarm duration: 10 s, 20 s, 30 s |
|---------------|--------------------------------------------------------------------|

Video

| | |
|----------------------|----------------------------------------------------|
| Video Compression | H.264B;Smart H.265+;H.264;H.265;Smart H.264+;MJPEG |
| Streaming Capability | 2 streams |

| | |
|------------------|----------------------------------------------------------------------------------------------------------------|
| Resolution | 1080p (1920 × 1080); 960p (1280 × 960); 720p (1280 × 720); D1 (704 × 576/704 × 480); CIF (352 × 288/352 × 240) |
| Video Frame Rate | Main stream: 1080p/1.3M/720p@(1–25/30 fps) Sub stream 1: D1/CIF@(1–25/30 fps) |
| Bit Rate Control | CBR/VBR |
| Video Bit Rate | H264: 256 Kbps–8,192 Kbps H265: 144 Kbps–5,632 Kbps |
| Day/Night | Auto (ICR)/Color/B/W |
| BLC | Yes |
| WDR | DWDR |
| HLC | Yes |
| White Balance | Auto; indoor; outdoor; tracking; manual; sodium lamp; natural light; street lamp |
| Gain Control | Auto; manual |
| Noise Reduction | 2D NR; 3D NR |
| Motion Detection | Yes |
| Image Rotation | 180° |
| S/N Ratio | ≥ 55 dB |

Audio

| | |
|-------------------|---------------------------------------------------|
| Audio Compression | PCM; G.711a; G.711Mu; G.726; MPEG2-Layer2; G722.1 |
|-------------------|---------------------------------------------------|

Network

| | |
|-------------------------|-------------------------------------------------------------------------------------------------|
| Network Port | RJ-45 (10/100 Base-T) |
| Wi-Fi | Yes |
| Wi-Fi Standard | IEEE802.11b;IEEE802.11g;IEEE802.11n |
| Wi-Fi Frequency Range | 2.4 GHz |
| Wi-Fi Transmission Rate | 150 Mbps |
| Network Protocol | UDP;FTP;RTMP;IPv6;IPv4;IP Filter;DNS;RTCP;HTTP;NTP;SSL;DHCP;RTP;SMTP;HTTPS;TCP/IP;RTSP;DDNS;ARP |
| Interoperability | RTMP;CGI;SDK;ONVIF (Profile S&T) |
| Streaming Method | Unicast/Multicast |
| User/Host | 20 |
| Storage | FTP; Micro SD card (512 GB) |
| Browser | IE: IE 7 and later versions; Chrome; Firefox; Safari |
| Management Software | Player;Cloud Connection;Smart Player ;DMSS;ConfigTool;NVR;Smart PSS |
| Mobile Client | iOS;Android |

Port

| | |
|---------------|----------------------------------------------------------------------------------------------------------------------------------------------------------|
| Audio Input | 1 channel (built-in mic) |
| Audio Output | 1 channel (built-in speaker) |
| Alarm Linkage | Capture; preset; recording; audio; sending email |
| Alarm Event | Motion/Tampering detection; audio detection; network disconnection detection; IP conflict detection; memory card state detection; memory space detection |

Power

| | |
|-------------------|-------------------------------------------------|
| Power Supply | 5 VDC, 1 A ± 10% (Type-C) |
| Power Consumption | Basic: 2 W Max: 5 W (illuminator +PTZ +speaker) |

Environment

| | |
|-----------------------|----------------------------------------------------------------------------|
| Operating Temperature | -10 °C to +40 °C (14 °F to +104 °F) |
| Operating Humidity | ≤ 95% |
| Protection | TVS 2000 V lightning proof; surge protection; voltage transient protection |

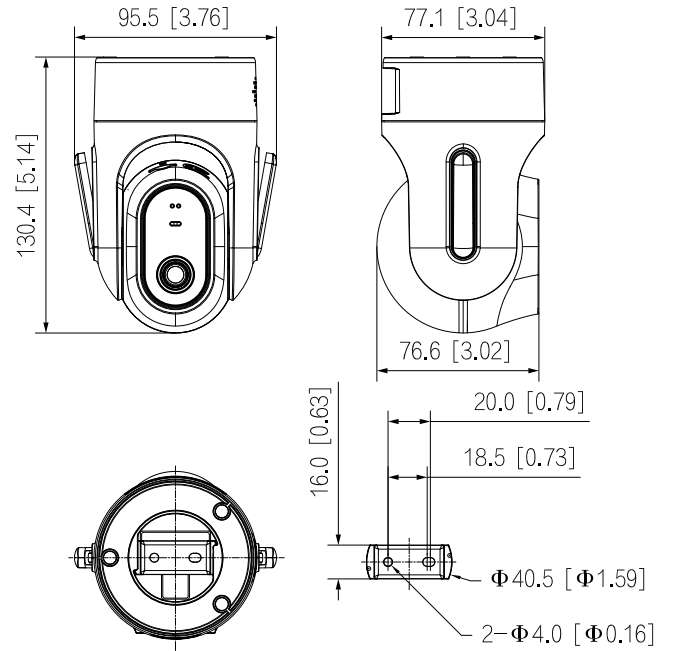
Structure

| | |
|--------------------|--------------------------------------|
| Product Dimensions | 130.4 mm × Φ 95.5 mm (5.13" × 3.76") |
| Net Weight | 0.25 kg (0.55 lb) |
| Gross Weight | 0.5 kg (1.10 lb) |

Ordering Information

| Type | Model | Description |
|-------------------------|--------|------------------------------------------------|
| Wi-Fi Network PT Camera | DH-H2C | 2MP Indoor Fixed-focal Wi-Fi Network PT Camera |
| | H2C | 2MP Indoor Fixed-focal Wi-Fi Network PT Camera |

Dimensions (mm[inch])



Installation

| Ceiling Mount | Plane Mount |
|---------------|-------------|
| | |